

---

Client Name :       Forestry Commission  
Project Title :       Sherwood Pines Visitors Centre – Proposed WC Block  
Project Nr :         141200

---

**Appendix D**

**Sanitaryware Schedule**

**Sherwood Pines Visitor Centre - Toilet Block**  
**Project: 141200**

**Sanitaryware Schedule**

**WC's**

Manufacturer: Armitage Shanks  
Product Reference: Contour 21 BTW WC 410 + Contour white seat only or equal & approved

**Cistern**

Manufacturer: Armitage Shanks  
Product Reference: Conceala 6ltr Cistern + lever flush or equal & approved

**Urinals**

Manufacturer: Armitage Shanks  
Product Reference: Kinloch urinal 2400mm LH outlet + resealing bottle trap or equal & approved

**Wash Hand Basin**

Manufacturer: Hanex  
Product Reference: Hanex white VB 0TH or equal & approved

**Taps**

Manufacturer: Armitage Shanks  
Product Reference: Avon 21 self closing pillar taps + strainer waste + resealing trap or equal & approved

**Hand Dryers**

Manufacturer: Venesta  
Product Reference: 0302019 or equal & approved

**Assisted Toilets**

Manufacturer: Armitage Shanks  
Product Reference: Contour 21 white ambulant set + fixing kit or equal & approved

**Assisted Toilet Wash Hand Basin**

Manufacturer: Ideal Standard or equal and approved  
Product Reference: E001301, E006267, E009167

**Assisted Toilet Taps**

Manufacturer: Ideal Standard  
Product Reference: E0063AA

**Boot Wash**

Manufacturer: Roser or equal and approved  
Product Reference: 3663

**Office Sink**

Manufacturer: Armitage Shanks  
Product Reference: Sandringham 1.5 Bowl & Dual Control mixer tap S0130 or equal & approved

**Cleaners Sink**

Manufacturer: Armitage Shanks  
Product Reference: Alder sink S59001 + Unslotted strainer waste s8726AA + resealing bottle trap + Alloy brackets S922167 + Stainless Steel Legs S9233MY or equal & approved

**Cleaners Sink Taps**

Manufacturer: Armitage Shanks  
Product Reference: Nimbus Bib taps S7205AA or equal & approved

**Shower**

Manufacturer: Triton  
Product Reference: Enrich 10.5kw shower or equal & approved

TRITON FOR:  
Homeowner Installer Specifier

Keyword search

- ABOUT
- PRODUCTS
- CLEARANCE
- ACCESSORIES
- SPARES
- HELP ME CHOOSE
- AFTER SALES
- WHERE TO BUY
- BROCHURE

Welcome to Triton / Triton for Homeowner / After Sales Service / Spares / Electric Showers / Enrich Electric Shower

Log in | Your Account | Register your product | [New Cookie Policy](#) » You have no items in your shopping cart.

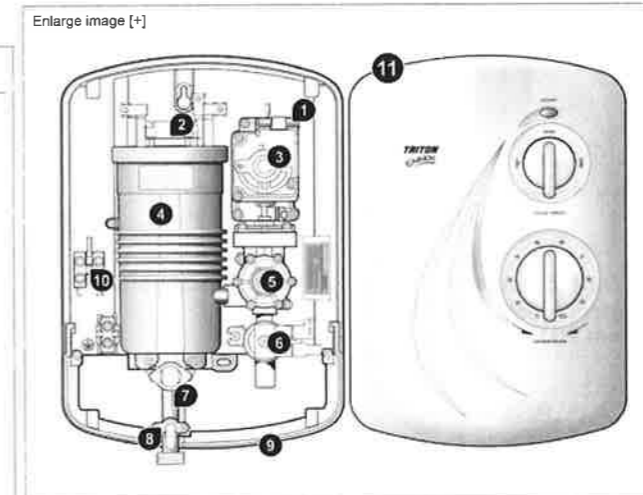
## Triton Shower Spares Enrich Electric Shower Spares

### Selected shower

#### Enrich Electric Shower



« Select another shower



Share this: [f](#) [g+](#) [t](#) [e](#)  
Print this page: [🖨](#)

### Useful info

Can't find the right spare part?  
If you can't find the part you're looking for please call 02476 378495 as more replacement parts are available to order by phone or email [spare\\_parts@tritonshowers.co.uk](mailto:spare_parts@tritonshowers.co.uk)

### View kit spare parts

If you are looking for a replacement hose, showerhead or kit for this product then please see the spare parts in the shower accessories section of the shop.

### Enrich Electric Shower Spares

■ Power Neon (upto 2011)



Part No: 82300980  
**£10.08** [Add to basket »](#)

■ Power Neon (from 2011)



Part No: P07810902  
**£8.39** [Add to basket »](#)

■ Thermal Cut-Out (upto 2011)



Part No: 22010070  
**£24.25** [Add to basket »](#)

■ Thermal Cut-Out (from 2011)



Part No: 22012680  
**£12.79** [Add to basket »](#)

■ Switch Carriage

■ Microswitch and Wire Assembly for upto 9.5kW (upto 2011)



Part No: 82300970  
**£12.80** [Add to basket »](#)






■ Camshaft Assembly







■ Microswitch and Wire Assembly (from 2011)



Part No: P07810903  
**£10.39** [Add to basket »](#)

■ Can Assembly (upto 2011)

 <p>£1 Part No: 7052197</p> <p><b>Can Assembly (from 2011)</b></p>	<p>stock</p>  <p>£1 Part No: 82800480</p> <p><b>Stabiliser Valve Assembly</b></p>	<p>stock</p>  <p>Multiple kW ratings available</p> <p><b>Solenoid Valve Assembly</b></p>
<p>Multiple kW ratings available</p>  <p>View spare »</p> <p><b>Outlet Pipe and Pressure Relief Device (from 2011)</b></p>	<p>Part No: P07810800</p> <p><b>£32.75</b></p> <p>Add to basket »</p> <p><b>Pressure Relief Device</b></p>	<p>Part No: 83300450</p> <p><b>£37.20</b></p> <p>Add to basket »</p> <p><b>Trimplate</b></p>
<p>Part No: S07811003</p> <p><b>£8.11</b></p> <p>Add to basket »</p> <p><b>Outlet Pipe Assembly, Terminal Block and Wires (upto 2011)</b></p>	<p>Part No: 82800450</p> <p><b>£9.73</b></p> <p>Add to basket »</p> <p><b>Terminal Block and Wires (from 2011)</b></p>	<p>Part No: 7052921</p> <p><b>£12.93</b></p> <p>Add to basket »</p> <p><b>Cover Assembly</b></p>
<p>Part No: S07811001</p> <p><b>£25.87</b></p> <p>Out of stock</p> 	<p>Part No: 82301510</p> <p><b>£12.12</b></p> <p>Add to basket »</p> 	<p>Part No: P19140600</p> <p><b>£20.32</b></p> <p>Add to basket »</p> 

<p>TRITON videos</p> 	<p>Help me Choose</p> 	<p>Clearance Deals</p> 
<p>Where to Buy</p> 	<p>TRITON Brochure</p> 	<p>After Sales Service</p> 

[Cookie Policy »](#)

Copyright Triton Showers 2013 [Site Map](#) [Privacy Policy](#) [Terms and Conditions](#) [Useful Links](#) [Contact Triton](#)

Triton is a division of Norcross Group (Holdings) Ltd



## Sandringham Select Sink Pack, 1.5 Bowl, Drainer & Dual Control Mixer

### Illustrated

**S0130** Sandringham Select sink pack, inset stainless steel 1.5 bowl and drainer complete with Sandringham dual control sink 1 taphole mixer, 1/2" basket strainer waste

### Configuration options

#### Material

Stainless Steel

#### Weights

S0130 7.17KG

#### Colours

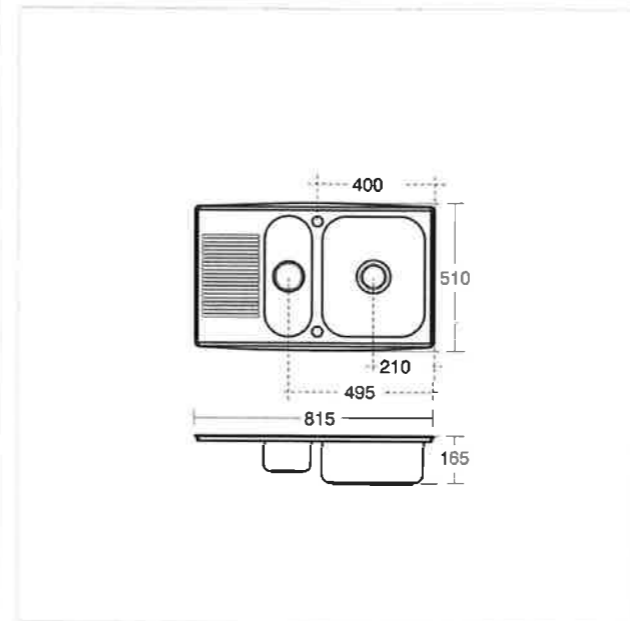
Stainless Steel (MY)

#### Standards

Add Stainless steel sheet to BS EN 10088:Part 2:2005

#### Special Notes

Sink mixers are available as separate items, see codes in brassware section. Waste disposal units can be fitted to these sinks. It is however not possible to fit a working drawer below sinks



### Frequently used applications

Education	Factory
General Healthcare	Hotels
Office	Pubs and Clubs
Residential	Retail
Sports and Leisure	

*Armitage  
Shanks*

Tel: 0870 122 8822  
Fax: 0870 122 8282  
Email: [info@idealspec.co.uk](mailto:info@idealspec.co.uk)  
Web: [www.idealspec.co.uk](http://www.idealspec.co.uk)

Ideal Standard (UK) Ltd. makes every effort to ensure that the information provided on its website is accurate. However, we cannot guarantee this, and accept no liability for any information or advice given via its website.

Powered by  
**Ideal**spec

Date created:08/09/2014

## Product Data Sheet



### Nimbus 1/2in Inclined Bib Taps

#### Illustrated

**S7205** Nimbus 1/2" inclined bib taps

#### Configuration options

- S8336** Bib tap wall mounts 1/2" for concealed plumbing (pair)
- S8331** Bib tap wall mounts 1/2" for exposed plumbing (pair)
- S8346** Bib tap extensions 1/2" x 75mm long (pair)
- S8330** Bib tap wall mount 1/2" for exposed plumbing (single)
- S8335** Bib tap wall mount 1/2" for concealed plumbing (single)
- S8345** Bib tap extension 1/2" x 75mm long (single)
- S8347** Bib tap extensions 1/2" x 100mm long (pair)

#### Material

Chrome Plated Brass

#### Weights

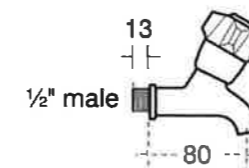
S7205 0.74KG

#### Colours

Chromium plated (AA)

#### Special Notes

Inlets screwed BSP male.  
Consideration should be given to safe hot water delivery and the use of an appropriate temperature reduction device see A5900AA.  
Flow rate 8 Litres per minute at 0.1 bar.



#### Frequently used applications

Education	Factory
General Healthcare	Hotels
Office	Public Building
Pubs and Clubs	Retail
Sports and Leisure	

#### Accreditations

WRAS



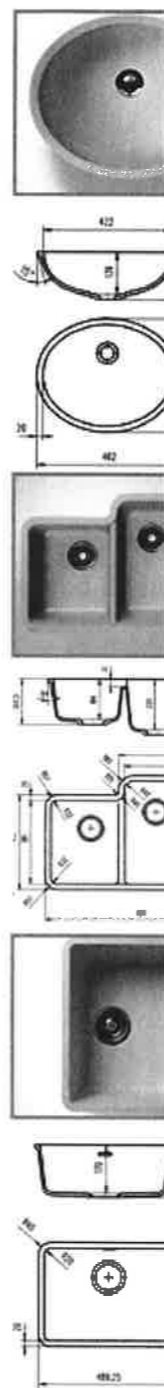
*Armitage  
Shanks*

Tel: 0870 122 8822  
Fax: 0870 122 8282  
Email: [info@idealspec.co.uk](mailto:info@idealspec.co.uk)  
Web: [www.idealspec.co.uk](http://www.idealspec.co.uk)

Ideal Standard (UK) Ltd. makes every effort to ensure that the information provided on its website is accurate. However, we cannot guarantee this, and accept no liability for any information or advice given via its website.

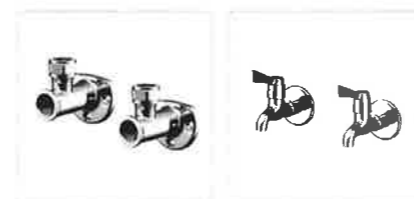
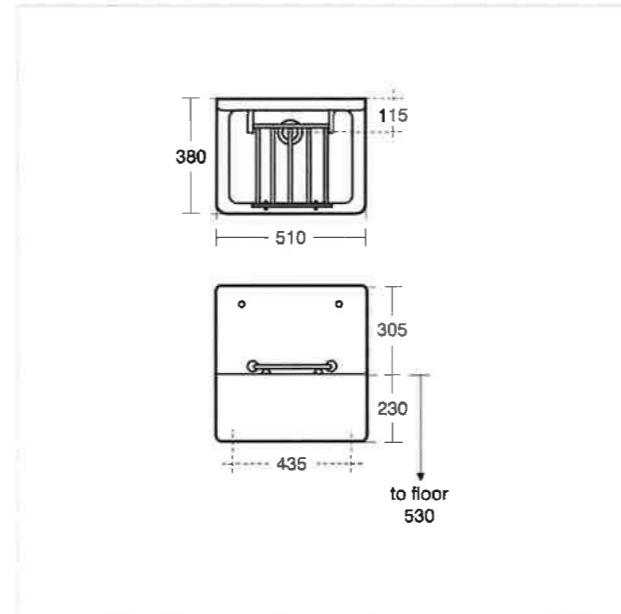
Powered by  
**Ideal**Spec

Date created:08/09/2014



- Code**  
 B-4637 S.  
 B-5041 S.  
 DK-8547 S.  
 DK-8552 S.  
  
 K-2036 S.  
 K-3636 S.  
 K-3648 S.  
 K-4148 S.  
 K-4444 S.

**Product Data Sheet**



**Alder Sink & Bucket Grating**

**Illustrated**

- S5900** Alder sink 51 x 31cm high back and fitted stainless steel bucket grating
- S9101** Domex screws (pair)
- S7190** Alterna Quadrant 1/2" quarter turn bib taps with ceramic discs and lever handles
- S8331** Bib tap wall mounts 1/2" for exposed plumbing (pair)
- S9233** Leg 350mm stainless steel with 355mm screw to wall Aluminium alloy bearer, 305mm stud (pair)
- S8726** Waste 1 1/2" unslotted strainer waste, 80mm tail, brass
- S8925** Trap 1 1/2" plastic resealing bottle with 75mm seal, multi-purpose outlet

**Configuration options**

- S7110** Nuastyle 1/2" inclined bib taps anti vandal indices
- S7160** Alterna 5412 1/2" bib taps dual Hot and Cold indices
- S7205** Nimbus 1/2" inclined bib taps
- S8336** Bib tap wall mounts 1/2" for concealed plumbing (pair)
- S9221** Brackets build-in Aluminium alloy, 355mm overall, 305mm stud (pair)
- S8915** Trap 1 1/2" plastic bottle with 75mm seal, multi-purpose outlet
- A5900** TMV Thermostatic mixing valve 15mm

**Material**

Fine Fireclay

**Standards**

Washbasin to BS EN 14688 & BS EN 31

**Weights**

- S5900 49.43KG
- S9101 0.22KG
- S7190 1.00KG
- S8331 1.27KG
- S9233 1.51KG
- S8726 0.39KG
- S8925 0.33KG

**Special Notes**

Multi-purpose outlet suitable for plastic and BS copper pipe.

Consideration may need to be given to safe hot water delivery and the use of an appropriate temperature reduction device see A5900AA

**Colours**

White (01)

**Frequently used applications**

- Education
- General Healthcare
- Office
- Pubs and Clubs
- Sports and Leisure
- Factory
- Hotels
- Public Building
- Retail
- Vandal Risk



Tel: 0870 122 8822  
 Fax: 0870 122 8282  
 Email: [info@idealspec.co.uk](mailto:info@idealspec.co.uk)  
 Web: [www.idealspec.co.uk](http://www.idealspec.co.uk)

Ideal Standard (UK) Ltd. makes every effort to ensure that the information provided on its website is accurate. However, we cannot guarantee this, and accept no liability for any information or advice given via its website.



Date created:08/09/2014



Product Search

<a href="#">Home</a>	<a href="#">Colours</a>	<a href="#">Environmental</a>	<a href="#">Sinks/Bowls</a>	<a href="#">Applications</a>
<a href="#">Customer Care</a>	<a href="#">Technical Info</a>	<a href="#">Contact Us</a>		

## Sinks and Bowls

Hanex have a wide selection of sinks and bowls available. Please could we also state that all bowls come in S-002 White and S-008 N-White colours.



## washbasins white round 45 back outlet

Contemporary design luxury washbasin with back outlet. This washbasin is specially designed for use with ducted services and incorporates back outlet and fixings.

- Domestic and commercial use
- Design for duct services
- Concealed back outlet
- Part of extensive range

pedestal & wall  
washbasins



### Illustrated

E001301 White Round 45cm washbasin, back outlet, no tapholes  
E006267 Wall fixing set for panel use  
E009167 1 1/4in waste outlet adapter with strainer  
E0063AA Silver concealed wall mounted basin mixer with 150mm projection spout chromium plated

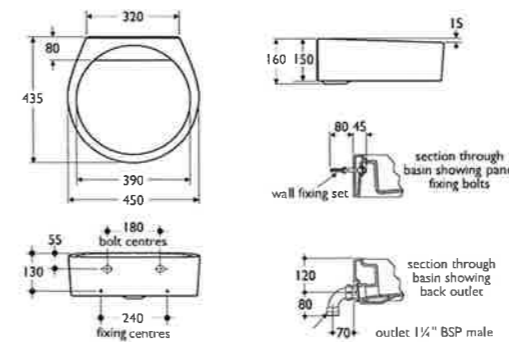
**Material**  
Vitreous china

**Weight**  
Washbasin 11.0kg

**Colours**  
Available in White (01) only

**Standards**  
Vitreous china to BS 3402

**Designer**  
David Chipperfield, London



Product Data Sheet



## Avon 21 Inclined Non-Con Pillar Taps Hot & Cold Dual Indices 5 Litres Per Minute

**Illustrated**

**B8267** Avon 21 washbasin inclined pillar taps (pair) with dual Hot and Cold indices per tap, self closing push button non concussive, water saving anti-vandal nozzle regulated to 5 litres per minute maximum. Alternative low pressure outlet option supplied.

**Configuration options**

**Material**

Chrome Plated Brass

**Weights**

B8267 2.25KG

**Colours**

Chromium plated (AA)

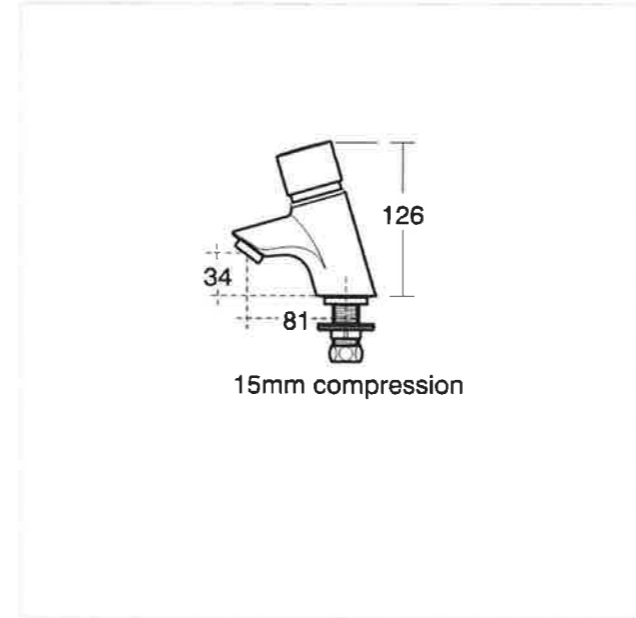
**Flow rates**

4.7 Litres per minute @ 3 bar pressure

**Special Notes**

Inlets screwed 1/2in BSP male. Flow regulated to 5 litres per minute maximum. Alternative low pressure outlet option supplied. Flow rate with fitted regulator 4.7 litres per minute. Unregulated flow rate 5 litres per minute at 0.1 bar.

Consideration should be given to safe hot water delivery and the use of an appropriate temperature reduction device.



**Frequently used applications**

- |                    |             |
|--------------------|-------------|
| Education          | Factory     |
| General Healthcare | Hospitals   |
| Hotels             | Office      |
| Public Building    | Retail      |
| Sports and Leisure | Vandal Risk |

**Features**

- HTM
- Water Saving

**Accreditations**

- WRAS
- Water Label



Tel: 0870 122 8822  
Fax: 0870 122 8282  
Email: [info@idealspec.co.uk](mailto:info@idealspec.co.uk)  
Web: [www.idealspec.co.uk](http://www.idealspec.co.uk)

Ideal Standard (UK) Ltd, makes every effort to ensure that the information provided on its website is accurate. However, we cannot guarantee this, and accept no liability for any information or advice given via its website.



Date created:02/09/2014



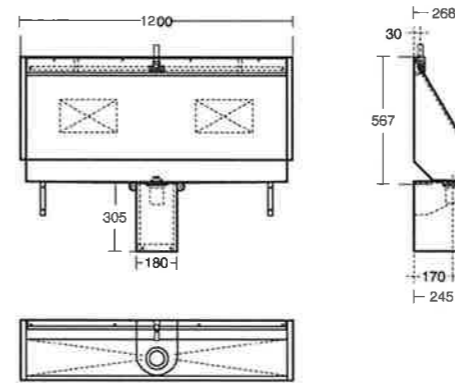
## Kinloch Trough Urinal, 120cm Top Inlet, Central Outlet

### Illustrated

**S6388** Kinloch urinal 120cm long complete with 2" domed strainer waste, central outlet, complete with flushpipes and autocistern

### Configuration options

- S6384** Kinloch urinal to special length, up to 120cm long complete with 2" domed strainer waste, central outlet
- S6385** Kinloch urinal to special length, up to 180cm long complete with 2" domed strainer waste, central outlet
- S6386** Kinloch urinal to special length, up to 240cm long complete with 2" domed strainer waste, central outlet
- S6387** Kinloch urinal to special length, up to 305cm long complete with 2" domed strainer waste, central outlet
- S6389** Kinloch urinal 180cm long complete with 2" domed strainer waste, centre outlet, complete with flushpipes and autocistern
- S6390** Kinloch urinal 240cm long complete with 2" domed strainer waste, centre outlet, complete with pipework and autocistern
- S6391** Kinloch urinal 305cm long complete with 2" domed strainer waste, centre outlet, complete with pipework and autocistern
- S6205** Kinloch urinal corner plinth, stainless steel
- S6206** Kinloch urinal cover strip to join separate urinals



### Material

Stainless Steel

### Weights

S6388 20.60KG

### Colours

Stainless Steel (MY)

### Standards

Manufactured from 1.5mm Stainless Steel 1.4301 (304) to BSEN 10088: part 2: 2005

### Special Notes

Kinloch urinal complete with central domed strainer waste 2in BSP outlet. Knock out inlet position allows pipework to be exposed or concealed.

Urinals on 2 or more walls can be joined using S6206MY stainless steel cover strip and S6205MY stainless steel corner plinth.

### Frequently used applications

- |                 |                    |
|-----------------|--------------------|
| Education       | Factory            |
| Hotels          | Office             |
| Public Building | Pubs and Clubs     |
| Retail          | Sports and Leisure |
| Vandal Risk     |                    |

### Features

Water Saving

*Armitage  
Shanks*

Tel: 0870 122 8822  
 Fax: 0870 122 8282  
 Email: [info@idealspec.co.uk](mailto:info@idealspec.co.uk)  
 Web: [www.idealspec.co.uk](http://www.idealspec.co.uk)

Ideal Standard (UK) Ltd. makes every effort to ensure that the information provided on its website is accurate. However, we cannot guarantee this, and accept no liability for any information or advice given via its website.

Powered by  
**Ideal** spec

Date created:01/09/2014

Product Data Sheet



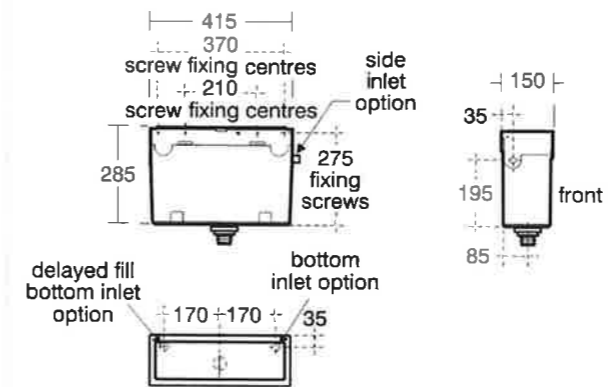
## Conceala 2 Cistern Universal Height 6 Litre Valve Side Supply

### Illustrated

- S3622** Conceala 2 cistern 6 litre single flush valve side supply and internal overflow, alternative height plastic flushbends, no push button
- S4512** Finger push button pneumatic, stainless steel for 31mm maximum thickness partition

### Configuration options

- S4513** Palm push button Pneumatic, stainless steel for 31mm maximum thickness partition
- S4464** Finger push button pneumatic, plastic for 31mm maximum thickness partition
- S4463** Palm push button Pneumatic, plastic for 31mm maximum thickness partition
- S4489** Finger push button pneumatic, stainless steel body for 400mm maximum wall thickness
- SV316** 3 metre tube
- S3636** Conceala 2 cistern delay fill 4.5/3 litre dual flush valve bottom supply and internal overflow, alternative height plastic flushbends, no flushplate



### Material

Plastic

### Standards

Cistern to BS EN 14055

### Weights

S3622 3.00KG  
S4512 0.71KG

### Special Notes

Cistern is supplied with 800mm length of plastic air tube. An optional 3m length can be purchased where remote operation is required.

### Colours

Neutral / No Finish (67)

### Capacity

6

### Frequently used applications

- |                    |                |
|--------------------|----------------|
| Education          | Factory        |
| General Healthcare | Hospitals      |
| Hotels             | Office         |
| Public Building    | Pubs and Clubs |
| Residential        | Retail         |
| Sports and Leisure |                |

*Armitage  
Shanks*

Tel: 0870 122 8822  
Fax: 0870 122 8282  
Email: [info@idealspec.co.uk](mailto:info@idealspec.co.uk)  
Web: [www.idealSpec.co.uk](http://www.idealSpec.co.uk)

Ideal Standard (UK) Ltd. makes every effort to ensure that the information provided on its website is accurate. However, we cannot guarantee this, and accept no liability for any information or advice given via its website.

Powered by  
**IdealSpec**

Date created: 26/08/2014